



A Crane Co. Company



## Coin changer currenza

Spare parts list  
for service partners

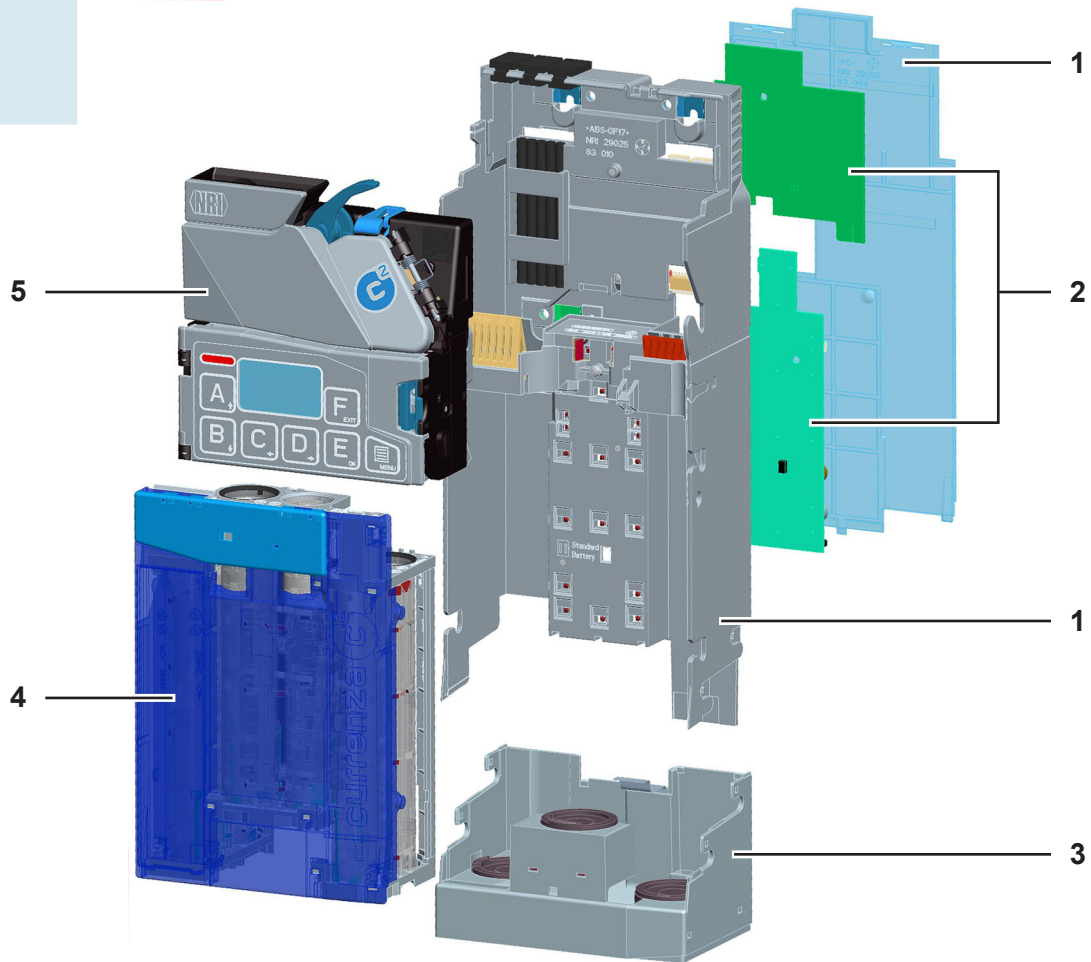
11.10 Goe/Schn/Roe/KQu  
Version 1.3  
EL.C2-EN



**CRANE**

National Rejectors, Inc. GmbH • Zum Fruchthof 6 • D-21614 Buxtehude  
Phone: +49 (0) 41 61-729-0 • Fax: +49 (0) 41 61-729-115 • E-mail: [info@nri24.com](mailto:info@nri24.com) • Internet: [www.nri24.com](http://www.nri24.com)

## Assembly overview

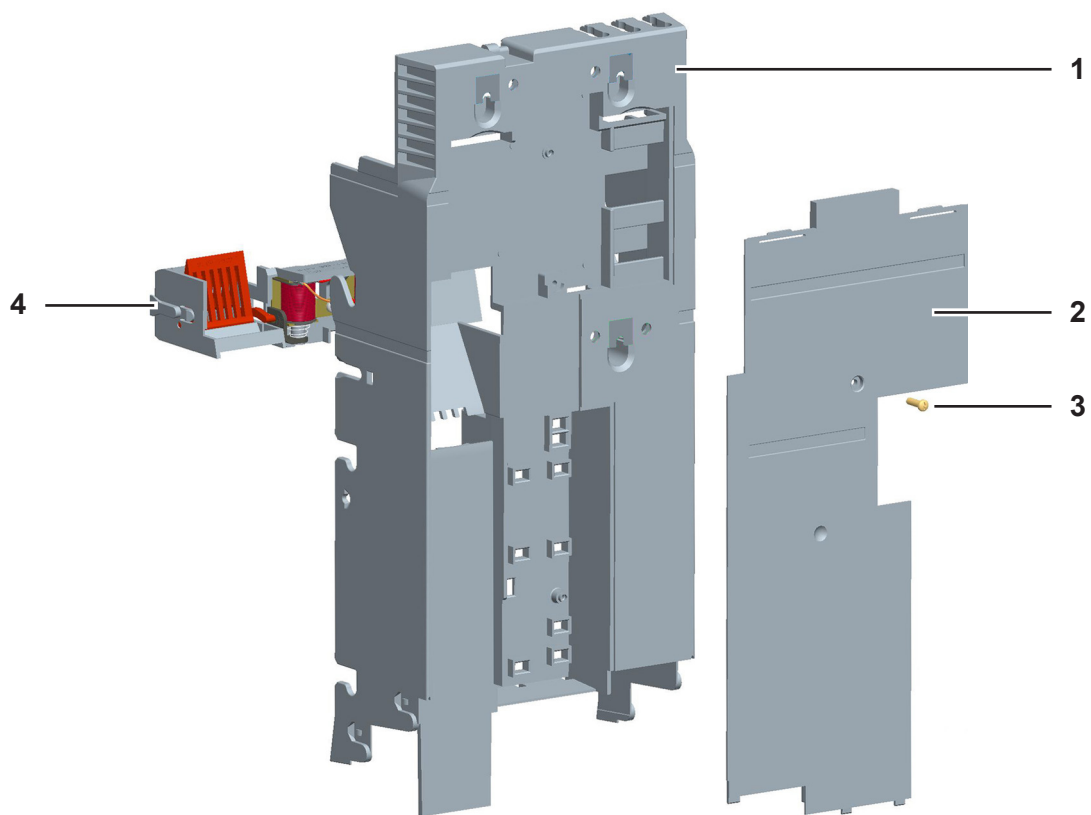


Pos. #	Assembly
1	Housing
2	Interface & audit modules
3	Payout module
4	Coin cassette
5	Coin validator

# 1 Table of contents

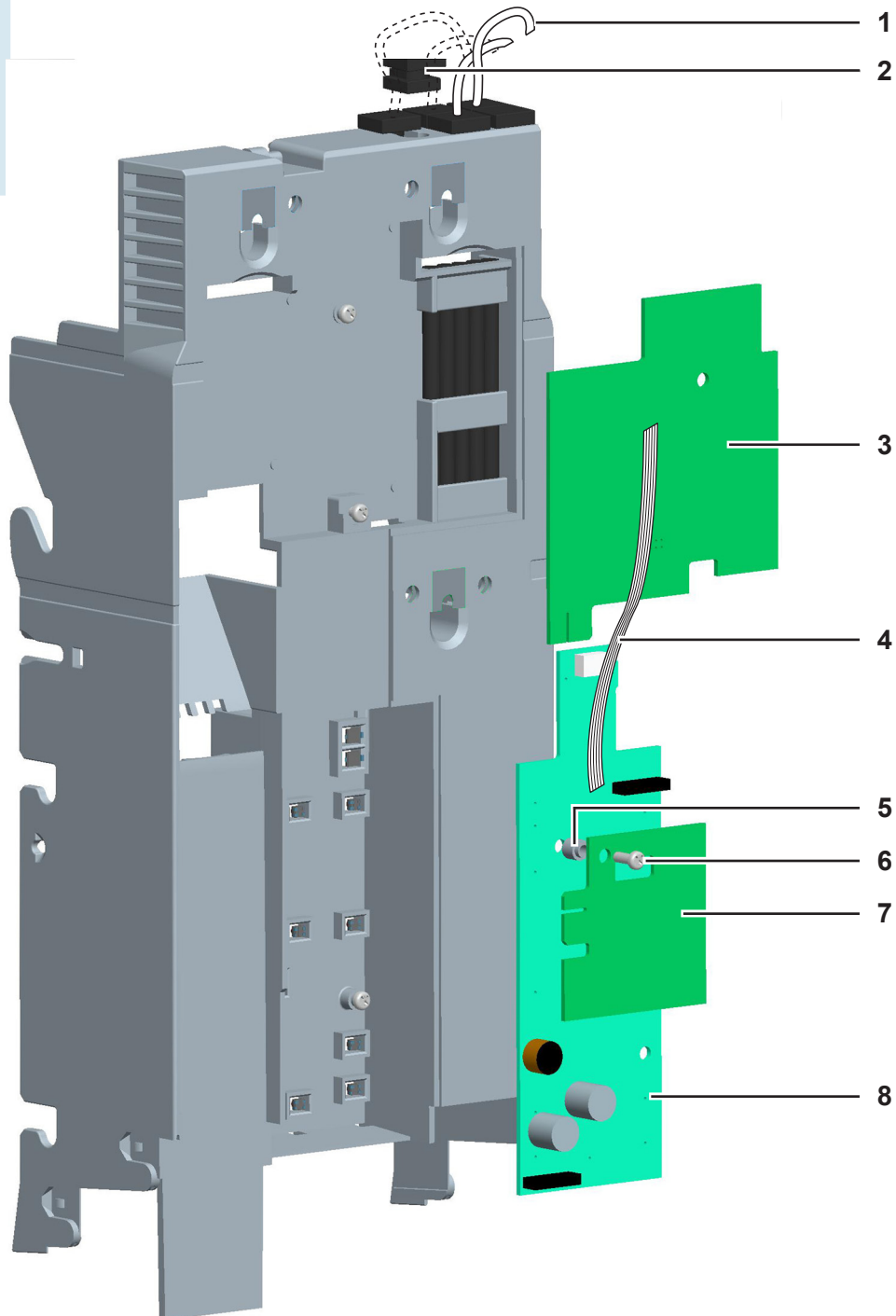
<b>Assembly overview</b>	<b>2</b>
<b>1 Assembly – Housing</b>	<b>4</b>
<b>2 Assembly – Interface &amp; audit modules</b>	<b>6</b>
<b>3 Assembly – Payout module</b>	<b>8</b>
<b>4 Assembly – Coin cassette</b>	<b>10</b>
<b>5 Assembly – Coin validator</b>	<b>12</b>

## 2 Assembly – Housing



Item	Order no.	Part designation
1	29026	Housing
2	29258	Housing cover
3	1360	Oval cross-headed screw, self-tapping P3x8
4	29042	Bottom sorting module

### 3 Assembly – Interface & audit modules

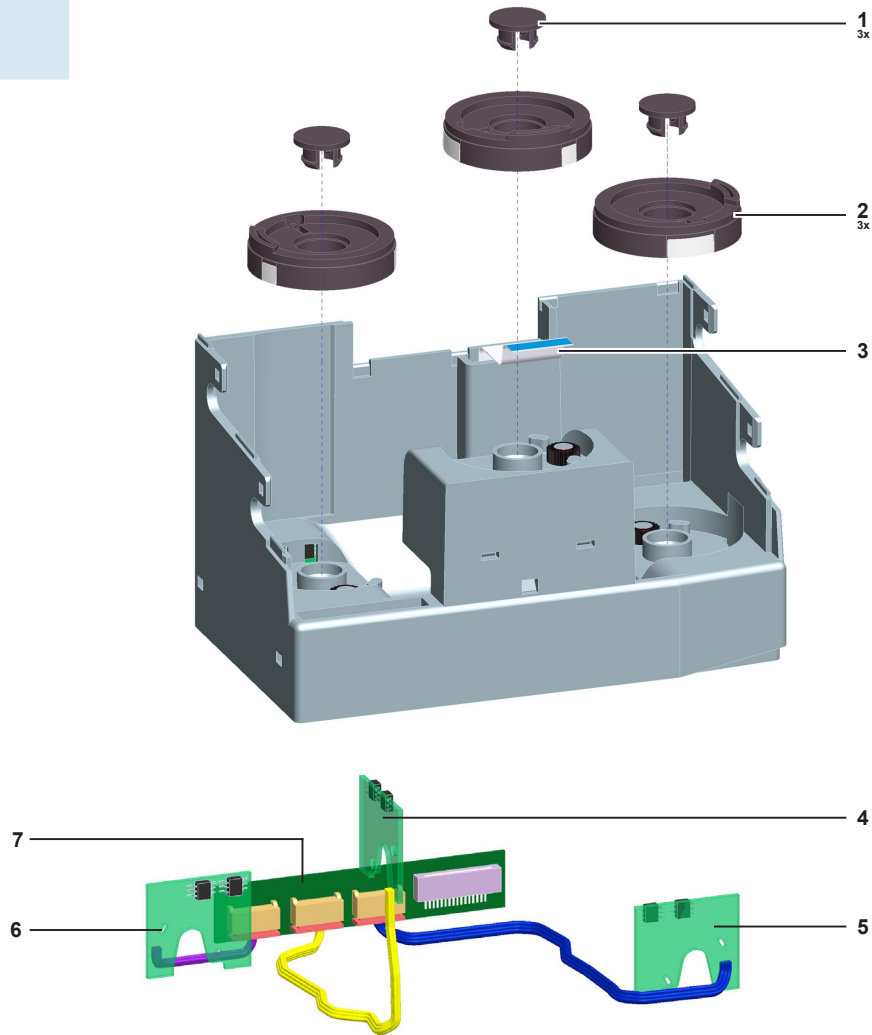


Item	Order no.	Part designation
1a	29278	Connecting cable – MDB
1b	30566	– MDB for USB
1c	29276	– BDV

Item	Order no.	Part designation
<b>1d</b>	29275	Connecting cable – Executive
<b>1e</b>	30780	– VCCS
<b>1f</b>	30490	– DEX
<b>1g</b>	30491	– DEX/UCS VMC
<b>1h</b>	30501	– USB
<b>1i</b>	30498	– Power for USB
<b>1j</b>	30499	– RS-232
<b>1k</b>	32689	– GSM antenna for c <sup>2</sup> airport
<b>1l</b>	31526	– ccTalk hopper
<b>1m</b>	29279	– Bill recycler
<b>1n</b>	29277	– MDB periphery
<b>1o</b>	30568	– USB MDB periphery
<b>1p</b>	29280	– Printer
<b>1q</b>	31218	– with infrared adapter
<b>2</b>	29027	Dummy plug / stopper
<b>3a</b>	32213	Audit unit – standard
<b>3b</b>	30887	– DEX/UCS
<b>3c</b>	30896	– Moisture-proof
<b>3d</b>	31657	– for c <sup>2</sup> security
<b>3e</b>	33104	– for c <sup>2</sup> airport
<b>3f</b>	32466	Interface module – USB
<b>3g</b>	32467	– USB/RS-232
<b>3h</b>	32469	– USB/RS-232 with audit unit
<b>4</b>	29819	Connecting cable Interface module – audit unit (14-pole jumper flex)
<b>5</b>	31840	Washer 4.3 x 7.0 x 2.3
<b>6</b>	31839	Screw RF-SN65 3x12
<b>7</b>	32328	Interface for ccTalk hopper
<b>8a</b>	32695	Interface module – MDB
<b>8b</b>	30891	– MDB, moisture-proof
<b>8c</b>	32697	– MDB for c <sup>2</sup> security
<b>8d</b>	32694	– MDB battery
<b>8e</b>	30892	– MDB battery, moisture-proof
<b>8f</b>	32259	– MDB battery for c <sup>2</sup> silver
<b>8g</b>	32693	– Executive/BDV/MDB
<b>8h</b>	31100	– Executive/BDV/MDB, moisture-proof
<b>8i</b>	32696	– Executive/BDV/MDB for c <sup>2</sup> security
<b>8j</b>	32699	– Executive/BDV/MDB/ccTalk hopper
<b>8k</b>	32698	– VCCS/MDB

4

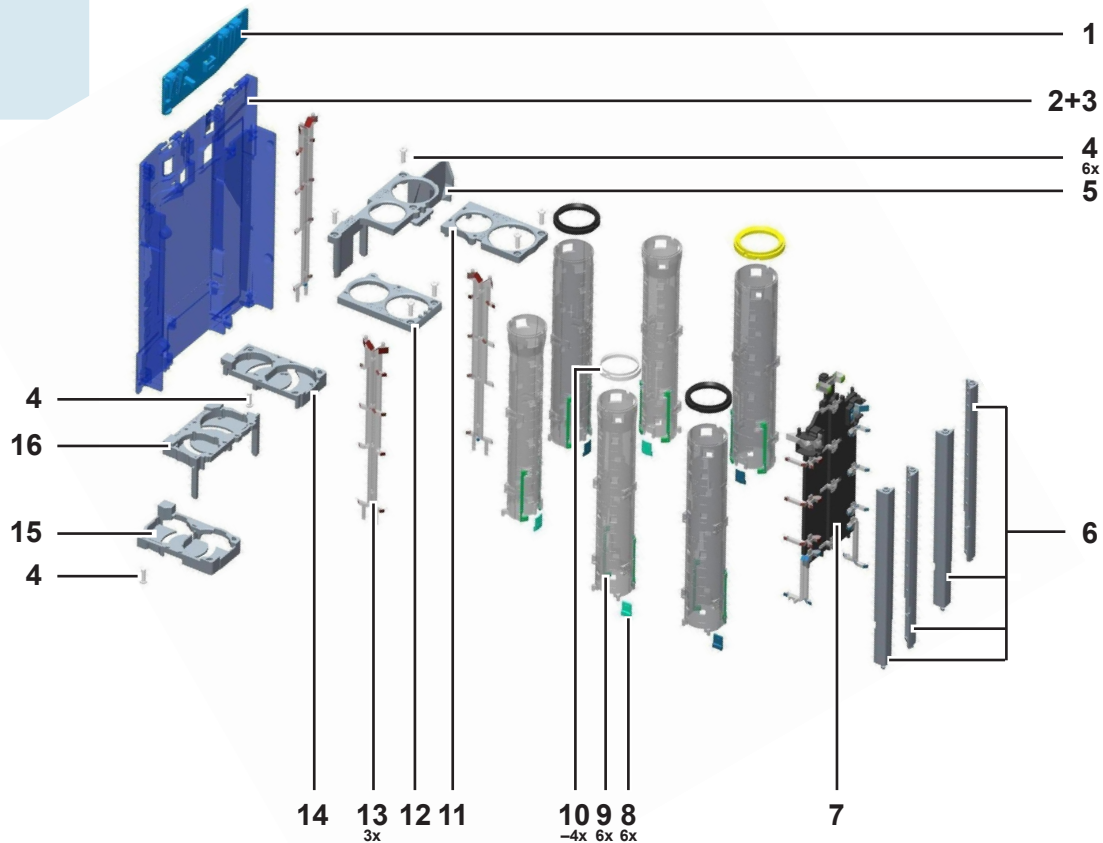
# Assembly – Payout module





Item	Order no.	Part designation
1	28756	Locking for payout disc
2a	30615	Payout disc – standard (for tubes with i.d. = 17–30mm)
2b	32040	– for tubes with i.d. = 33 mm
3	29821	16-pole Flex Jumper
	31703	Payout module cpl. – for tubes with i.d. = 17–30mm (standard)
	32041	– for tubes with i.d. = 33mm
4	31084	Motor connecting plate (middle)
5	31604	Motor connecting plate (left)
6	31085	Motor connecting plate (right)
7	31083	Payout module mainboard

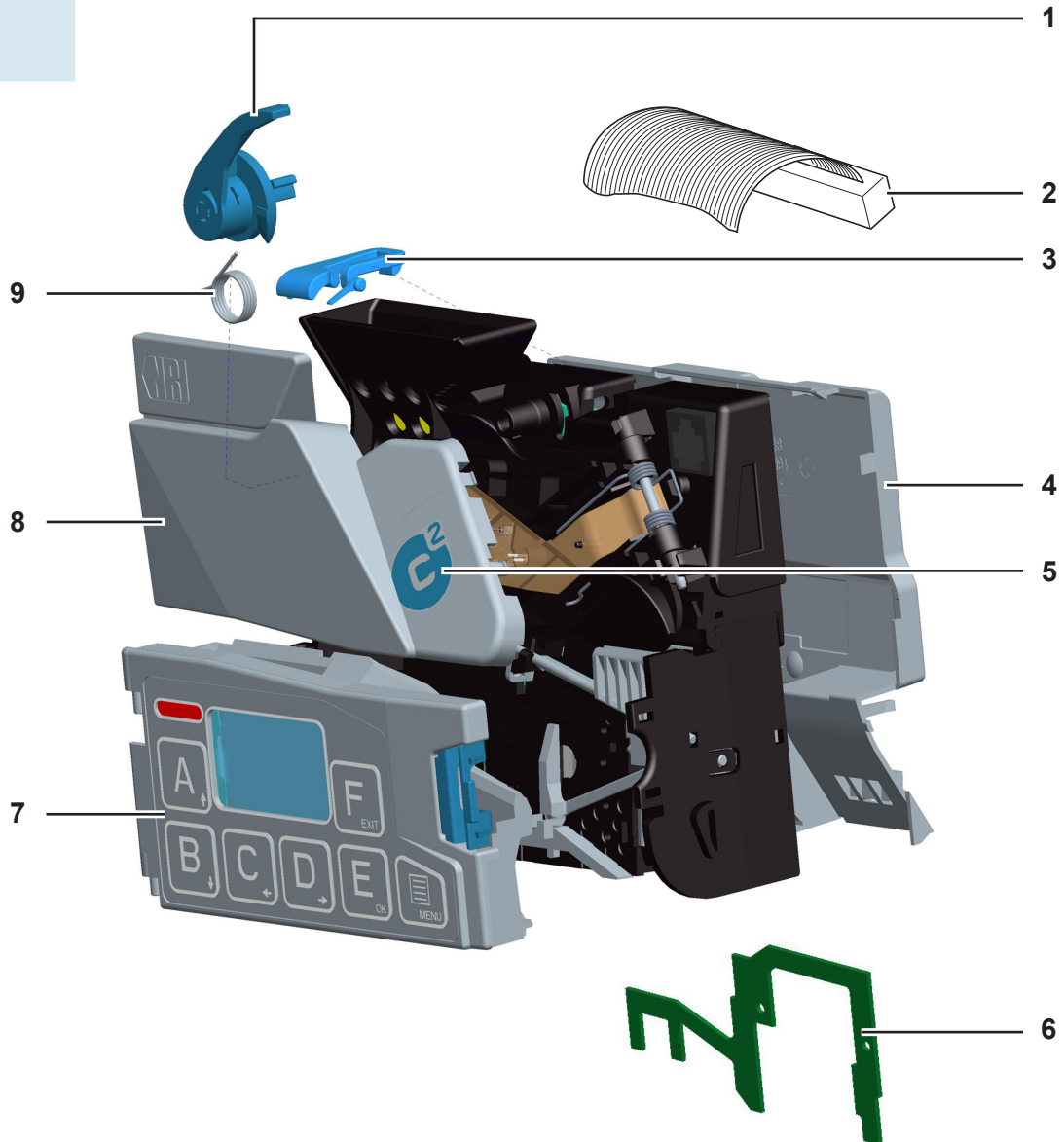
## 5 Assembly – Coin cassette



Item	Order no.	Part designation
1	29403	Cassette latch
2	-	Main part
1+2	30090	Main part incl. cassette latch
3	30444	Label for payout combination, blank (not illustrated)
4	1375	Oval cross-headed screw, self-tapping P3x10
5	29406	Tube support, top, for tubes C & D
6a	29410	Pillar for tube support – standard
6b	31816	– with magnet for c <sup>2</sup> security

Item	Order no.	Part designation
<b>7a</b>	31554	Light transmitter – standard (with tube full sensor)
<b>7b</b>	31553	– with 4-level sensor system
<b>8a</b>	29411	Size acceptance limiter for maximum coin thickness – 1.5mm
<b>8b</b>	29412	– 2.0mm
<b>8c</b>	29413	– 2.5mm
<b>8d</b>	29414	– 3.0mm
<b>8e</b>	29415	– 3.7mm
<b>9a</b>	29663	Change tube with i.d. of – 17.0mm
<b>9b</b>	29665	– 18.0mm
<b>9c</b>	29666	– 19.5mm
<b>9d</b>	29667	– 21.0mm
<b>9e</b>	29668	– 22.5mm
<b>9f</b>	29669	– 24.0mm
<b>9g</b>	29671	– 25.5mm
<b>9h</b>	29672	– 27.5mm
<b>9i</b>	29673	– 30.0mm
<b>9j</b>	29674	– 33.0mm
<b>10a</b>	29422	Ring to adapt the tube i.d. from – 25.5 to 27.5mm
<b>10b</b>	29421	– 25.5 to 30mm
<b>10c</b>	29418	– 25.5 to 33mm
<b>10d</b>	29420	– 27.5 to 30mm
<b>10e</b>	29417	– 27.5 to 33mm
<b>10f</b>	29416	– 30 to 33mm
<b>11</b>	29404	Tube support, top, for tubes A & B
<b>12</b>	29408	Tube support, top, for tubes E & F
<b>13</b>	29695	Light collector
<b>14</b>	-	Tube support, bottom, for tubes A & B
<b>15</b>	-	Tube support, bottom, for tubes E & F
<b>16</b>	-	Tube support, bottom, for tubes C & D
<b>1, 2, 4, 14–16</b>	33719	Main part incl. cassette latch with bottom tube supports pre-assembled
<b>1–16</b>		Coin cassette cpl., order no. depends on payout combination. Please contact our sales staff.

## 6 Assembly – Coin validator



Item	Order no.	Part designation
1	29151	Coin return lever
2	30510	Connecting cable, coin validator – interface module
3	29154	Latch
4a	29194	Rear cover – standard
4b	31819	– with magnet for c <sup>2</sup> security
5a	30728	c <sup>2</sup> label – blue
5b	30729	– green
5c	30730	– white
5d	30731	– orange
5e	32171	– silver
6	33936	Optical sensor board CP 3/4
7a	30082	Sorter cover / user interface – blue
7b	30442	– blue & IrDA
7c	30932	– blue, moisture-proof
7d	30983	– blue & IrDA, moisture-proof
7e	30081	– green
7f	31686	– green & IrDA
7g	30992	– green, moisture-proof
7h	30080	– white
7i	30437	– orange
7j	30915	– orange, moisture-proof
7k	32338	– silver
8	29157	Cover for flight deck
9	29152	Spring for coin return lever

**ATTENTION!**

Integrated and same emerging Springs may differ in component dependent assembly. ECV may not function proper, in case of wrong assembling of springs.

To assure the ECVs functionality, take care of proper reinstallation of spring components.

**1–8** Coin validator cpl., order no. depends on currency/coin acceptance. Please contact our sales staff.



**When ordering spare parts, always indicate the complete model number of your device and the correct order number and designation of the spare part you require.**

**In addition, please observe the following:**

**This spare parts list corresponds to the NRI development status at the time of publication. NRI is not obliged to announce further developments or modifications or carry out similar modifications on already delivered devices. NRI reserves the right to stop the manufacturing of devices at its own discretion.**

**Availability of spare parts: max. 5 years after the model has been discontinued.**